


INOVANCE

CS710 Crane Drive

Open & closed loop AC drive

Wide operating voltage
Three-phase 380 to 480 Vac
0.4 to 450 kW

Operation in high ambient
temperature  50°C¹

Enhanced reliability and
longer drive life span:
- Selection of high rated components
- Conformal coating suitable for 3C2
and 3S2 environments

CE


LISTED
E467465
IND. CONT. EQ.

Built-in DC reactor
(400 V: 18.5 kW and above)

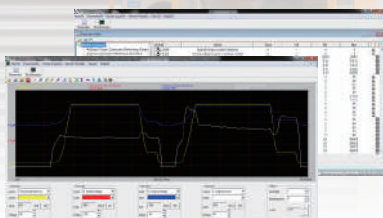


Features & functions

- Open loop V/F & SVC control
- Closed loop FVC control
- Starting torque
 - 150% at 0.25 Hz for SVC
 - 180% at 0 Hz for FVC
- Communication options:
 - Modbus-RTU
 - PROFIBUS-DP
 - CANopen
 - CANlink
 - PROFINET
- Slip compensation
- Simplified parameters for easy start up
- Selectable linear or S-Curve acceleration/deceleration profile
- Flexible programmable I/Os
- User programmable functions
- Variable DC-injection braking
- Comprehensive trip diagnostics
- Built-in dynamic braking unit (up to & including 75 kW)
- Dedicated functions for crane applications:
 - Brake control logic
 - Light load function
 - Electronic motorised potentiometer
 - Overload protection function
 - Pre-excitation function
 - Over travel switches inputs
 - Anti-sway function (customized version)

PC-based
software:
simplified
start up &
backup²

Through-hole mounting
options (0.4 to 160 kW)



¹ Please note: if operating above 40°C, derating is required
² PC comms kit is required (optional accessory)

General specifications

Voltage class $\text{CE} \text{ } \text{UL}$	Three-phase 380 to 480 Vac										
Drive model: CS710-4TxxxGx-INT	0.4GB	0.75GB	1.1GB	1.5GB	2.2GB	3.0GB	3.7GB	5.5GB	7.5GB	11GB	15GB
Frame size	T1 ^{*1}								T2	T3	T4
Drive input	Three-phase 380 to 480 Vac -15% to +10%										
	Rated input voltage										
	Rated input current [A]										
Drive output	50/60 Hz \pm 5%										
	Rated input frequency										
	Applicable motor [kW]										
	Output current [A] ^{*2}										
	Default carrier frequency [kHz]										
	Overload capacity										
	Max. output voltage										
Braking resistor	150% for 60 s										
	Max. output frequency										
Braking unit	Three-phase 380 to 480 Vac (proportional to input voltage)										
	150 Hz										
Enclosure	Recommended power [kW]										
	Minimum resistance [Ω]										
Built-in											
IP 20											

Voltage class $\text{CE} \text{ } \text{UL}$	Three-phase 380 to 480 Vac										
Drive model: CS710-4TxxxGx-INT	18.5GB	22GB	30GB	37GB	45GB	55GB	75GB	90G	110G	132G	160G
Frame size	T5		T6		T7		T8		T9		
Drive input	Three-phase 380 to 480 Vac -15% to +10%										
	Rated input voltage										
	Rated input current [A]										
Drive output	50/60 Hz \pm 5%										
	Rated input frequency										
	Applicable motor [kW]										
	Output current [A] ^{*2}										
	Default carrier frequency [kHz]										
	Overload capacity										
	Max. output voltage										
Braking resistor	150% for 60 s										
	Max. output frequency										
Three-phase 380 to 480 Vac (proportional to input voltage)											
150 Hz											
Braking unit	Recommended power [kW]										
	Minimum resistance [Ω]										
Built-in											
MDBUN-200-5T											
IP20											

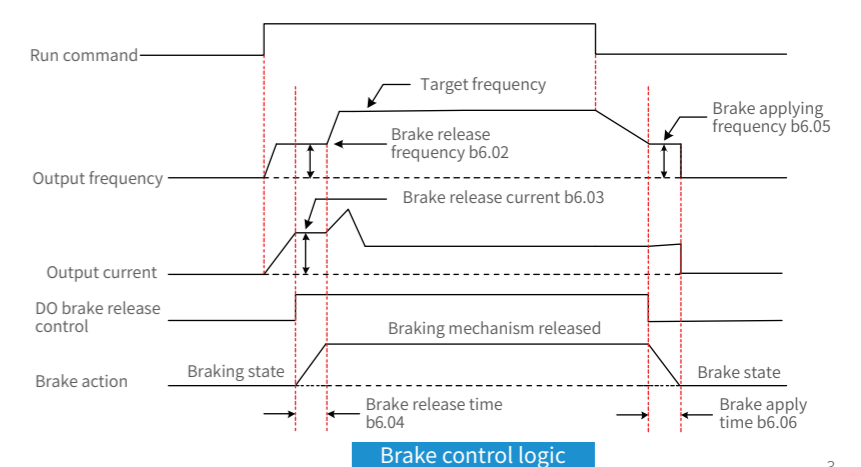
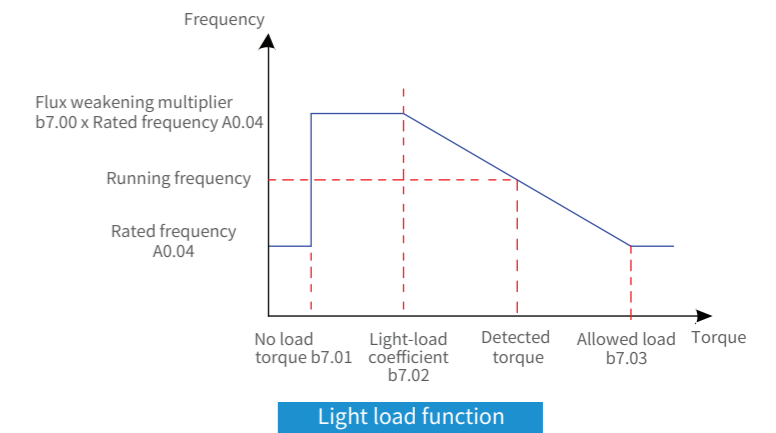
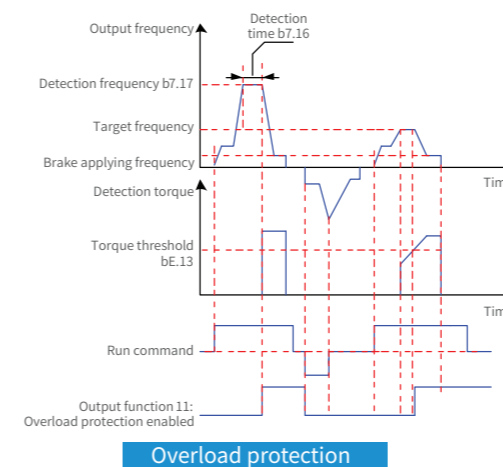
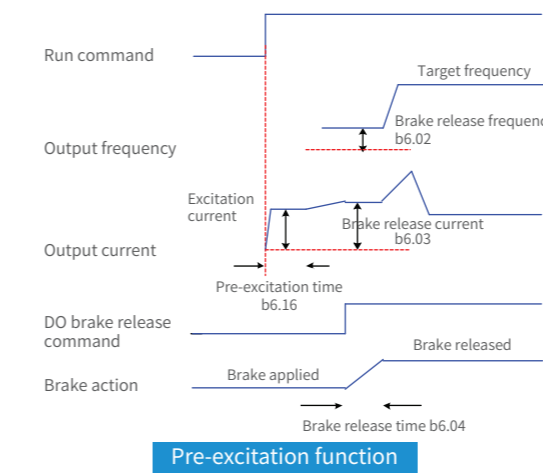
*1 0.75/1.5/2.2/3.7/5.5 kW are the preferred stocking ratings. To learn more, please get in touch with your local Inovance representative.

*2 Rated output current at default carrier frequency.

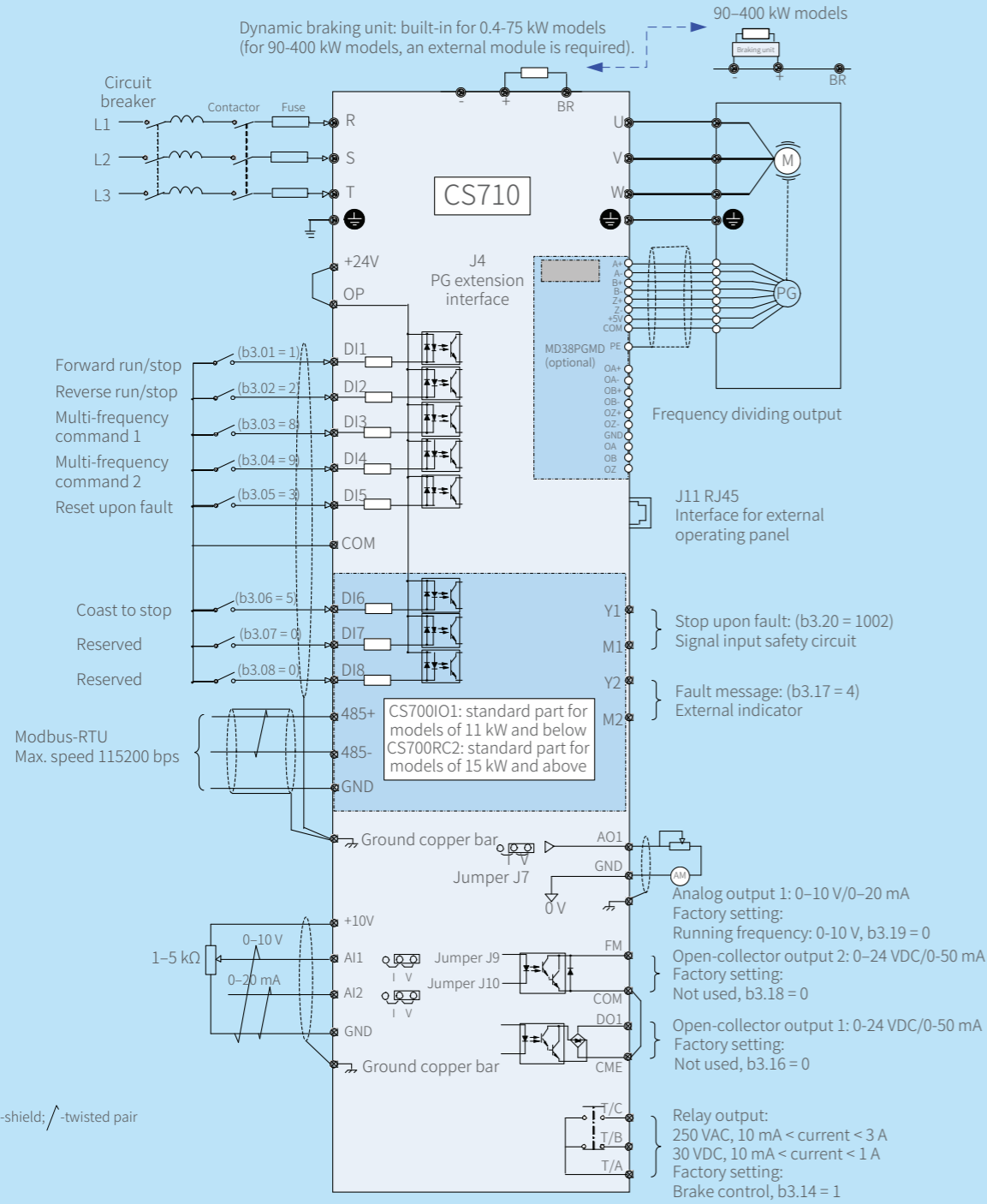
General specifications

Voltage class $\text{CE} \text{ } \text{UL}$	Three-phase 380 to 480 Vac						
Drive model: CS710-4TxxxG-INT ^{*1}	200G	220G	250G	280G	315G	355G	400G
Frame size	T9	T3	T11	T11	T11	T12	T12
Drive input	Three-phase 380 to 480 Vac -15% to +10%						
	Rated input voltage						
	Rated input current [A]						
Drive output	50/60 Hz \pm 5%						
	Rated input frequency						
	Applicable motor [kW]						
	Output current [A] ^{*2}						
	Default carrier frequency [kHz]						
	Overload capacity						
	Max. output voltage						
Braking resistor	150% for 60 s						
	Max. output frequency						
Three-phase 380 to 480 Vac (proportional to input voltage)							
500 Hz							
Braking unit	Recommended power [kW]						
	Minimum resistance [Ω]						
MDBUN-200-5T x2							
MDBUN-200-5T x3							
IP 00							

*1 For the standard AC drive, we recommend motor cable lengths to be <100 m. Where your installation exceeds 100 m, the “-L” version is an option with a built-in AC output reactor (1% voltage drop) which can help to overcome the effects of long cable installations. To discuss your application, contact your local Inovance representative.
*2 Rated output current at default carrier frequency.



Typical system connection diagram



Typical applications



Construction hoist



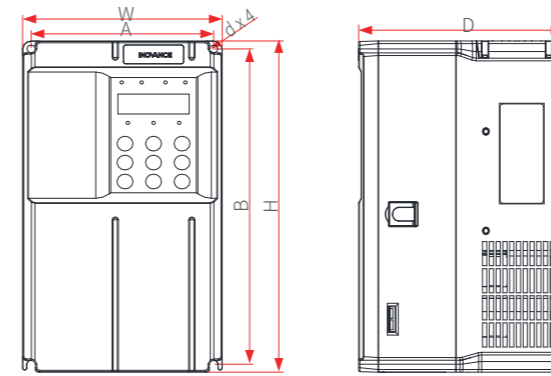
Overhead crane



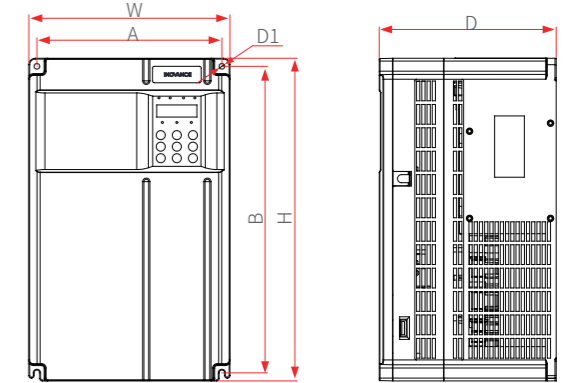
Gantry crane

Dimensions

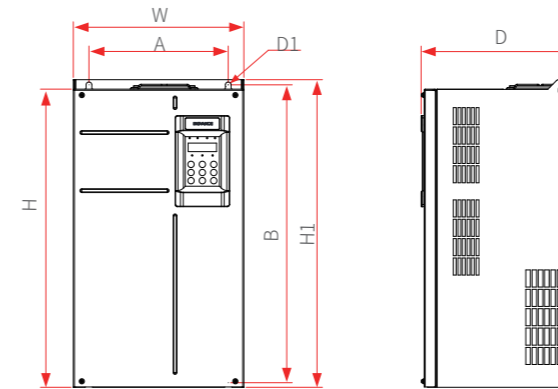
CS710-4T0.4GB to CS710-4T15GB



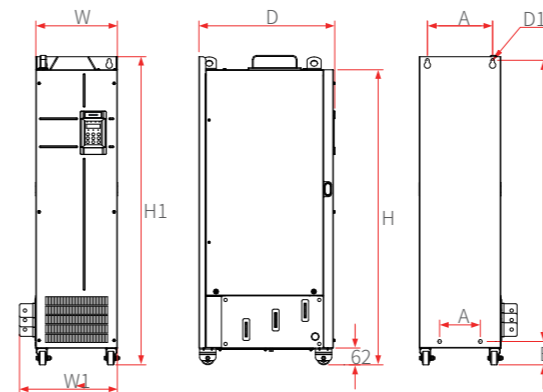
CS710-4T18.5GB to CS710-4T37GB



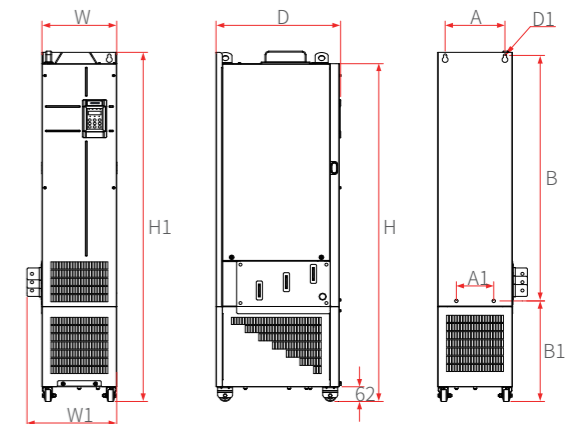
CS710-4T45GB to CS710-4T160G



CS710-4T200G to CS710-4T400G

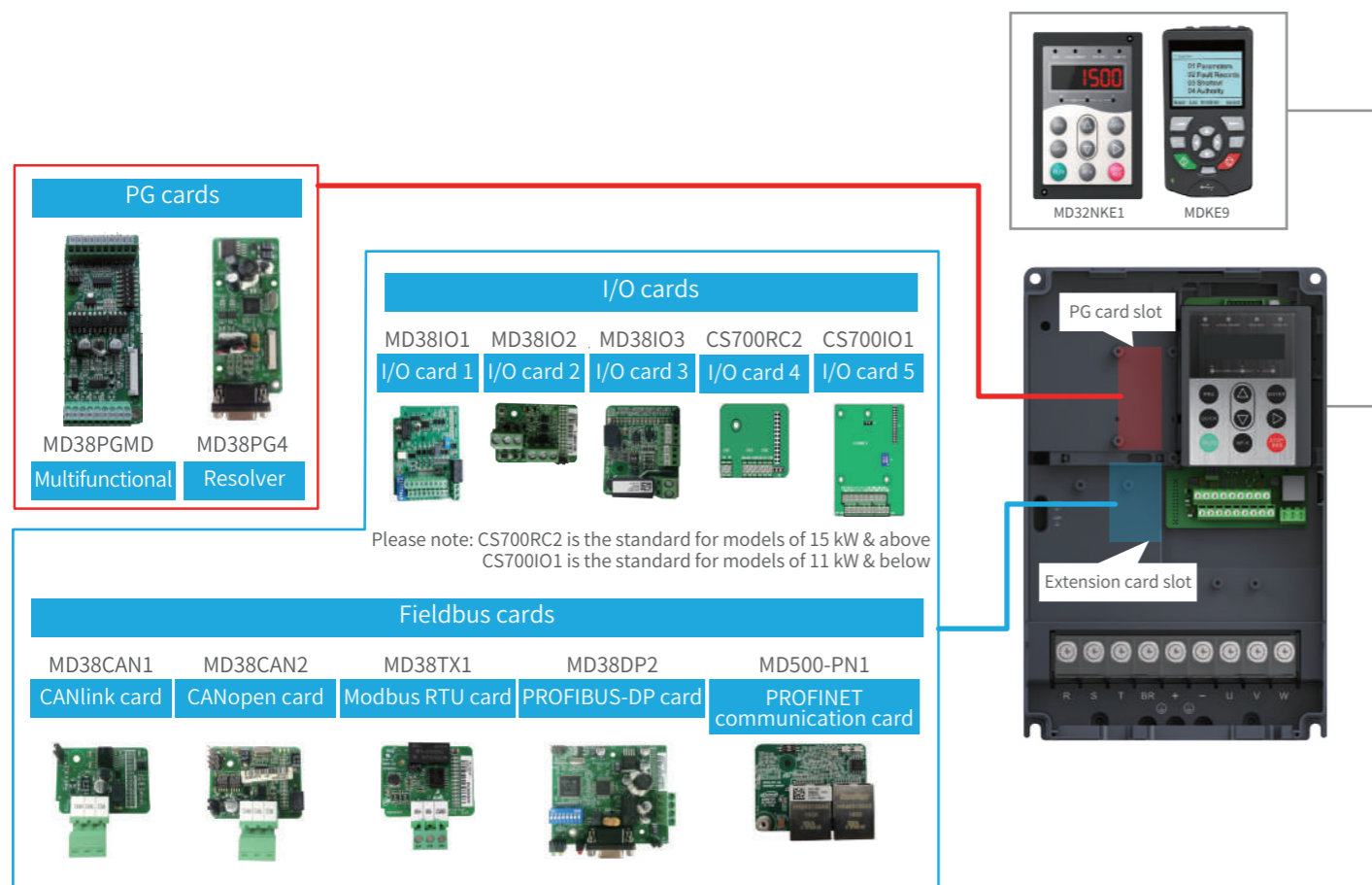


CS710-4T200G-L to CS710-4T400G-L (built-in output reactor)



CS710 model	Model size	Dimensions (mm)										Mass (kg)
		A	A1	B	B1	H	H1	W	W1	D	D1	
CS710-4T0.4GB, CS710-4T0.7GB, CS710-4T1.1GB	T1	119	/	189	/	200	/	130	/	152	Ø5	1.6
CS710-4T1.5GB, CS710-4T2.2GB, CS710-4T3.0GB	T1	119	/	189	/	200	/	130	/	152	Ø5	1.6
CS710-4T3.7GB, CS710-4T5.5GB	T1	119	/	189	/	200	/	130	/	162	Ø5	2.0
CS710-4T7.5GB, CS710-4T11GB	T2	128	/	238	/	250	/	140	/	170	Ø6	3.3
CS710-4T15GB	T3	166	/	266	/	280	/	210	/	192	Ø6	3.1
CS710-4118.5GB, CS7104T22GB	T5	195	/	335	/	350	/	210	/	192	Ø6	9.1
CS710-4T30GB, CS7104T37GB	T6	230	/	380	/	400	/	250	/	220	Ø7	17.5
CS710-4T45GB, CS7104T55GB	T7	245	/	523	/	525	542	300	/	275	Ø10	35
CS710-4T75GB, CS7104T90G, CS7104T110G	T8	270	/	560	/	554	580	338	/	315	Ø10	51.5
CS710-4T132G, CS7104T160G	T9	320	/	890	/	874	915	400	/	320	Ø10	85
CS710-4T200G, CS7104T220G	T10	240	150	1035	86	1086	1134	300	360	500	Ø13	110
CS710-4T200G-L, CS7104T220G-L		240	150	1035	424	1424	1472	300	360	500	Ø13	160
CS710-4T200G, CS7104T280G	T11	225	185	1175	97	1248	1248	330	390	545	Ø13	155
CS710-4T250G-L, CS7104T280G-L		225	185	1175	437	1586	1622	330	390	545	Ø13	215
CS710-4T315G, CS7104T355G, CS7104T400G, CS710-4T400G	T12	240	200	1280	101	1255	1405	340	400	545	Ø16	185
CS710-4T31G-L, CS7104T355G-L, CS710-4T400G-L		240	200	1280	432	1683	1733	340	400	545	Ø16	245

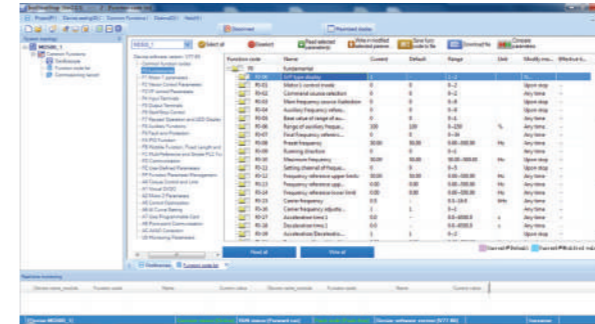
Extension cards and mounting position



PC software tools

InoDriveShop

InoDriveShop is Inovance's PC-based software offering. It is based on a familiar Windows interface. InoDriveShop can upload and download drive parameters, and features a variety of other functions, such as a real-time oscilloscope



Parameter uploading/downloading



Multi-drive, multi-channel oscilloscope

Accessories list

Category	Model	Function description	Suitable for
External braking units	MDBUN-60-2T	External braking unit, rated current 60 A, for supply input voltage 200 to 240 Vac AC drives.	2T models: 45G - 55G
	MDBUN-200-5T	External braking unit, rated current 200 A, for supply input voltage 380 to 480 Vac AC drives.	T models: 200G - 450G
	MDBUN-60-5T	External braking unit, rated current 60 A, for supply input voltage 380 to 480 Vac AC drives.	T models: 90G - 110G
	MDBUN-90-5T	External braking unit, rated current 90 A, for supply input voltage 380 to 480 Vac AC drives.	T models: 132G - 160G
Keypads	MD32NKE1	Remote LED keypad. Includes MDCAB cable.	All
	MDKE9	Remote LCD keypad. For parameter programming and monitoring, data copy (for various MD series). Includes MDCAB cable.	All
	MDCAB	3 meter connecting cable for remote keypad (spare unit).	All
	MDCAB-1.5	1.5 meter connecting cable for remote keypad (spare unit).	All
	I/O cards	MD38IO1	I/O extension card 1, provides: 5x DI, 1x AI, 1x relay output, 1x DO, 1x AO, Modbus-RTU and CANlink.
MD38IO2		I/O extension card 2, provides 3x extra DI terminals.	All
MD38IO3		I/O extension card 3, provides 3x DI, 1x relay output, Modbus-RTU interface.	All
CS700RC2		Crane dedicated I/O extension card, provides 3x DI, 3x relay output, 1 RS485 Modbus-RTU interface.	Included as standard for models of 15 kW and above
CS700IO1		Crane dedicated I/O extension card, provides 2x DI, 1x relay output, 1 RS485 Modbus-RTU interface.	Included as standard for models of 11 kW and below
Fieldbus	MD38CAN1	CANlink bus card, supports only CANlink.	All
	MD38CAN2	CANopen bus card, supports only CANopen.	All
	MD38TX1	Modbus-RTU communication card.	All
	MD38DP2	PROFIBUS-DP communication card.	Frame sizes T4-T12
	MD500-PN1	PROFINET communication card.	All
PG cards	MD38PG4	Interface card for resolver (10 kHz excitation) with DB9 connector.	All
	MD38PGMD	Multifunctional encoder card, compatible with differential, open-collector and push-pull encoder types. Supports differential output and open-collector output.	All
PC comms kit	MDPCKIT02	PC comms kit.	All
Mounting brackets	MD500-AZJ-A1T1	Through hole mounting bracket - MD290/MD500 for frame T1.	Frame size T1
	MD500-AZJ-A1T2	Through hole mounting bracket - MD290/MD500 for frame T2.	Frame size T2
	MD500-AZJ-A1T3	Through hole mounting bracket - MD290/MD500 for frame T3.	Frame size T3
	MD500-AZJ-A1T4	Through hole mounting bracket - MD290/MD500 for frame T4.	Frame size T4
	MD500-AZJ-A1T5	Through hole mounting bracket - MD290/MD500 for frame T5.	Frame size T5
	MD500-AZJ-A1T6	Through hole mounting bracket - MD290/MD500 for frame T6.	Frame size T6
	MD500-AZJ-A1T7	Through hole mounting bracket - MD290/MD500 for frame T7.	Frame size T7
	MD500-AZJ-A1T8	Through hole mounting bracket - MD290/MD500 for frame T8.	Frame size T8
	MD500-AZJ-A1T9	Through hole mounting bracket - MD290/MD500 for frame T9.	Frame size T9
Guide rails	MD500-AZJ-A3T10	Guide rails for inserting in/ extracting from the cabinet - frame sizes T10 to T12.	Frame sizes T10-T12

Driven by Technology

AC Drives



AC MultiDrives



MV Drives



Single-Axis Servos



Multi-Axis Servos



Robotics & Motion Controllers



PLCs & HMIs



CNC Machine Tool Solutions





Elevator Drives




INOVANCE


International Offices

 **Hong Kong SAR (export office)**
Tel: +852 2751 6080
info@inova-automation.com


 **South Korea-Seoul**
Tel: +82 (0) 10 7428 5732
info@inova-automation.com


 **India**
Head Office Chennai
Tel: +91 (0) 44 4380 0201
Ahmedabad Tel: +91 (0) 79 4003 4274
Mumbai Tel: +91 (0) 22 4971 5883
Delhi Tel: +91 (0) 11 4165 4524
Sales Network in Kolkata, Bengaluru,
Coimbatore, Hyderabad, Pune
info.inovaindia@inova-automation.com

 **Germany-Stuttgart**
Tel: +49 (0) 7144 8990
sales.de@inovance.eu
www.inovance.eu

 **Italy-Milano**
Tel: +39 (0) 2268 22318
sales.it@inovance.eu

 **France-Bordeaux**
Tel: +33 (0) 5594 01050
sales.fr@inovance.eu

 **Turkey-Istanbul**
Tel: +90 (0) 21 6706 1789
info.turkey@inova-automation.com

 **China**
Shenzhen Inovance Technology Co. Ltd.
Suzhou Inovance Technology Co. Ltd.
Suzhou Monarch Control Technology Co. Ltd.
info@inova-automation.com

For other country distributors, contact the Hong Kong export office.

Inovance Technology
www.inovance.eu

